



T&S BRASS AND BRONZE WORKS, INC.

2 Saddleback Cove / P.O. Box 1088
Travelers Rest, SC 29690

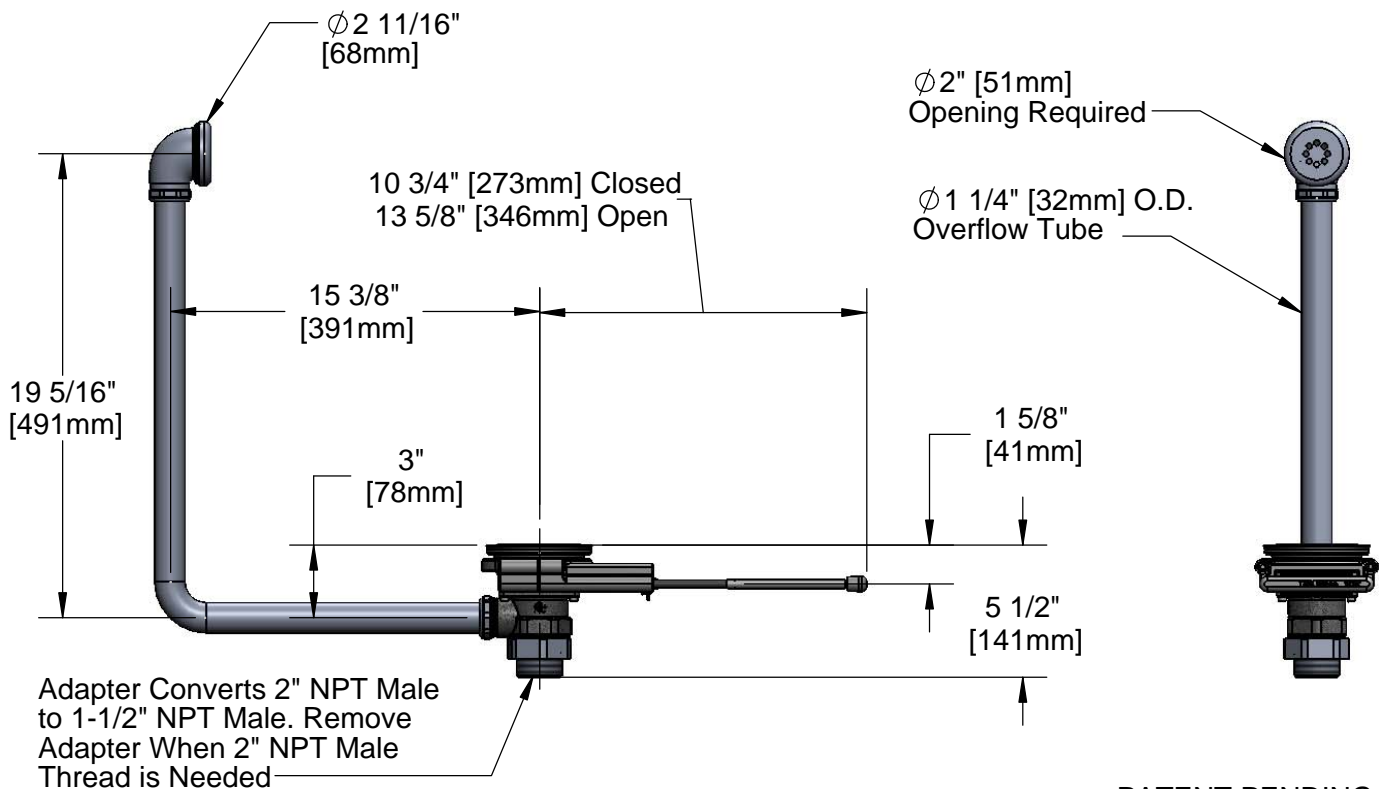
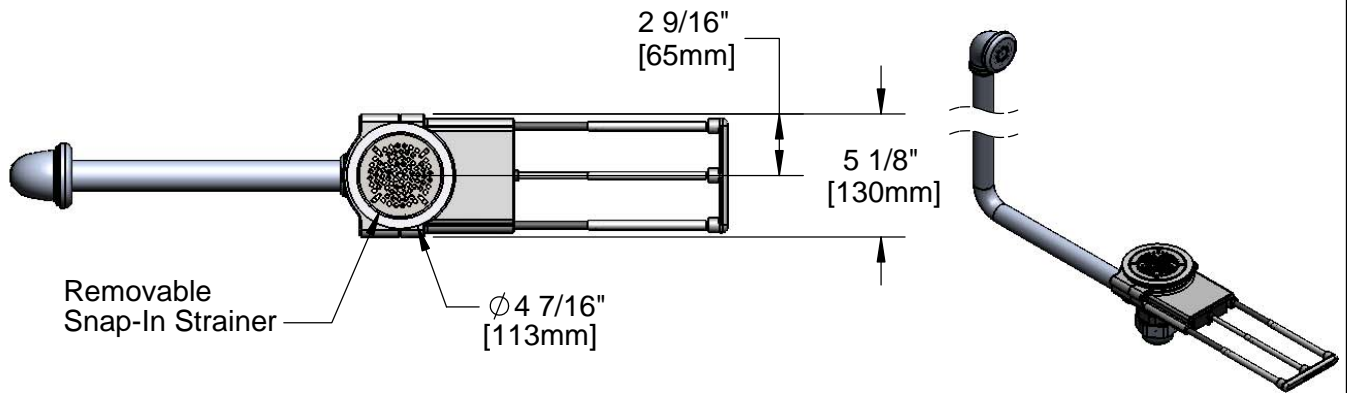
Model No.

B-3990-01-5X

Item No.

Travelers Rest, SC: 800-476-4103 • Simi Valley, CA: 800-423-0150 • Fax: 864-834-3518 • www.tsbrass.com

| | | |
|--|--------------------------------|---------------------------|
| This Space for Architect/Engineer Approval Job Name _____ Date _____ Model Specified _____ Quantity _____ Customer/Wholesaler _____ Contractor _____ Architect/Engineer _____ | Sink Bowl Size (Front to Back) | Recommended Sales Model |
| | 18" | B-3990-01 |
| | 20" | B-3990-01 or B-3990-01-3X |
| | 24" | B-3990-01-3X |
| | 28" | B-3990-01-5X |



PATENT PENDING

Product Specifications:
 Modular Waste Drain Valve w/ Pull Handle, 3 1/2" Sink Opening, 2" NPT Female x 1-1/2" NPT Male Adapter, Overflow Tube w/ Head Assembly, 5" Handle Extension

Product Compliance:
 ASME A112.18.2 / CSA B125.2



T&S BRASS AND BRONZE WORKS, INC.

2 Saddleback Cove / P.O. Box 1088
Travelers Rest, SC 29690

Model No.

B-3990-01-5X

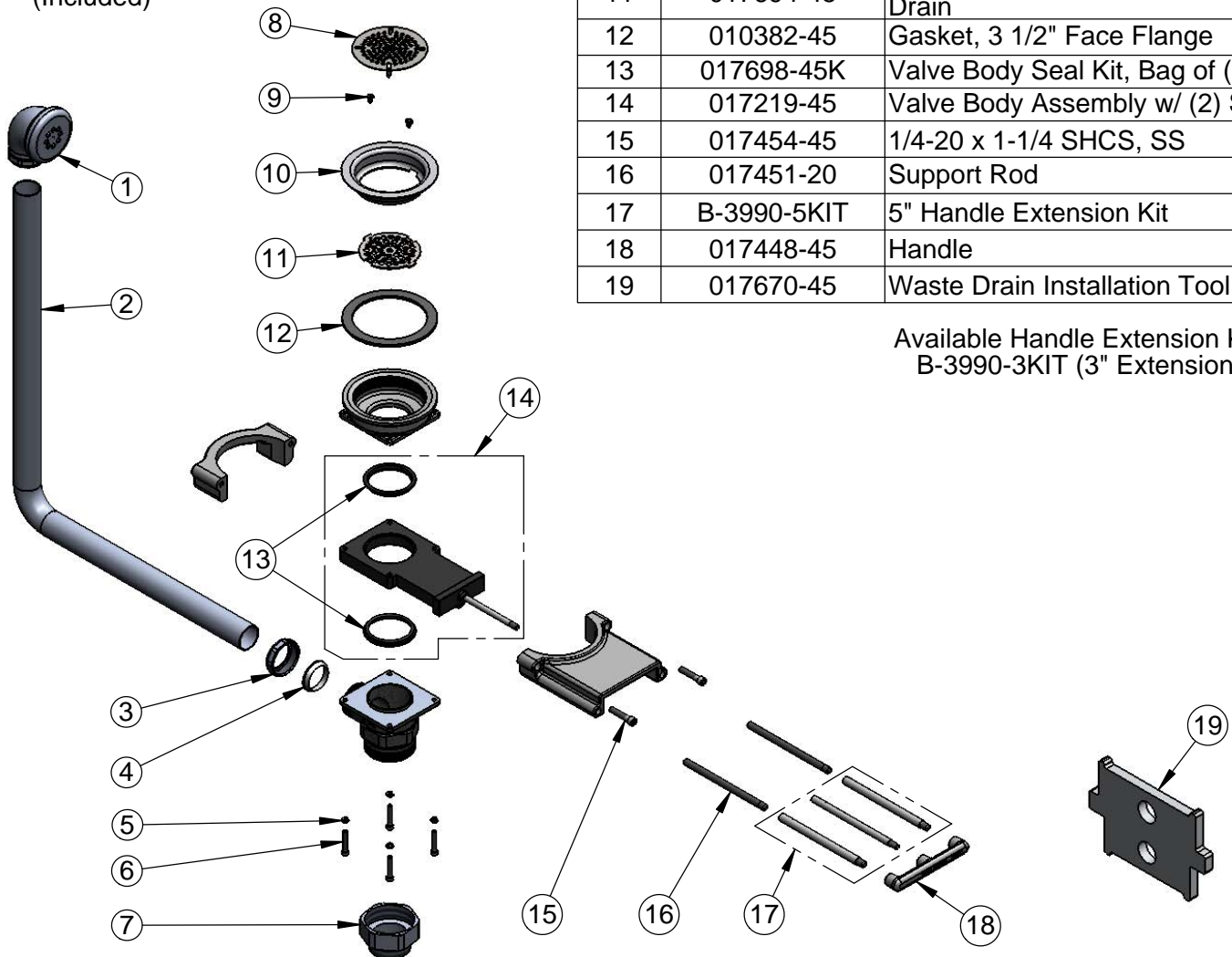
Item No.

Travelers Rest, SC: 800-476-4103 • Simi Valley, CA: 800-423-0150 • Fax: 864-834-3518 • www.tsbrass.com

| ITEM NO. | SALES NO. | DESCRIPTION |
|----------|-------------|--------------------------------------|
| 1 | 011356-45 | Head Asm, Overflow Tube |
| 2 | 011355-45 | Tube, Overflow Elbow |
| 3 | 010391-45 | Nut, Coupling for Twist Drain |
| 4 | 010390-45 | Ferrule, Coupling Nut |
| 5 | 018196-45 | #10 Split Lock Washer |
| 6 | 017669-45 | 10-32 x 1-1/8 SHCS, SS |
| 7 | B-3945 | Adapter, 2" NPT x 1 1/2" NPT |
| 8 | 010386-45 | Strainer, 3 1/2" Snap-in Removable |
| 9 | 016654-45 | Vandal Resistant SS Screw |
| 10 | 010384-45 | Flange, 3 1/2" Face |
| 11 | 017694-45 | Guard, 3 1/2" Vandal Resistant Drain |
| 12 | 010382-45 | Gasket, 3 1/2" Face Flange |
| 13 | 017698-45K | Valve Body Seal Kit, Bag of (2) |
| 14 | 017219-45 | Valve Body Assembly w/ (2) Seals |
| 15 | 017454-45 | 1/4-20 x 1-1/4 SHCS, SS |
| 16 | 017451-20 | Support Rod |
| 17 | B-3990-5KIT | 5" Handle Extension Kit |
| 18 | 017448-45 | Handle |
| 19 | 017670-45 | Waste Drain Installation Tool |

012640-45
Sealing Cap When Overflow Tube
Coupling Nut is Not Used.
(Included)

014734-45
#8 Spanner Bit For
Vandal Resistant Screw
(Included)



Available Handle Extension Kit:
B-3990-3KIT (3" Extension)

Product Specifications:

Modular Waste Drain Valve w/ Pull Handle, 3 1/2" Sink Opening, 2" NPT Female x 1-1/2" NPT Male Adapter, Overflow Tube w/ Head Assembly, 5" Handle Extension

Product Compliance:

ASME A112.18.2 / CSA B125.2